

The TSN belt tracker:

There is no better belt tracking system

Conveyor belts that run off-center cause pollution, loss of product and damage to the belt as well as the installation. Years of search for a belt tracking system that functions perfectly has now resulted in success. Starting today, TSN is the exclusive distributor in Europe of truly the best belt tracking system in the world; The Tru-Trac belt tracker.

Tru-Trac is an **unique and patented belt tracking system** that consists of components and materials of **the highest quality**. An intensive period of testing and further improvement has preceded the introduction. Nowadays numerous installations in, among others, the United States, Canada, South-Africa, Australia and England have been fitted with the **Tru-Trac roller**, this to the **complete satisfaction** of the customers. Now finally this product has found its way to Europe.



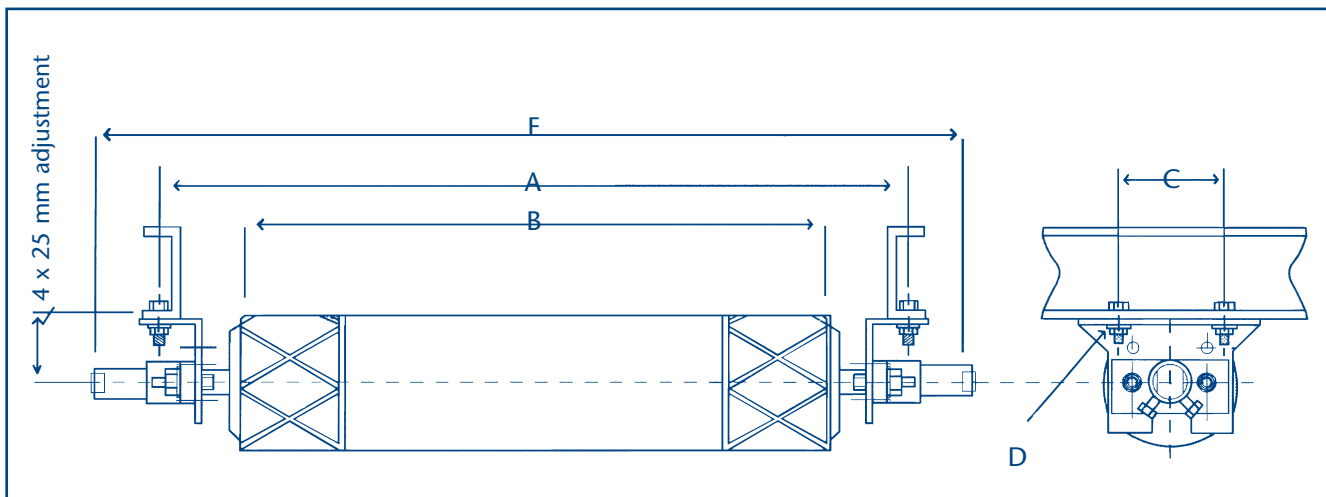
Several benefits of the simple, functional and sturdy system are:

- increase of production capacity
- diminishing of stand-still time
- reduction of spillage and waste
- reduction of cleaning costs
- increase of safety
- reduction of motor capacity
- easily installed
- maintenance free
- operates in all circumstances
- very well applicable for reversible conveyors
- long life expectancy thanks to tested technology



The new tracking technology by TSN can be delivered in virtually all belt widths and eventually produced according to the customers' wishes. The Tru-Trac tracking roller is delivered with a warm vulcanized rubber running surface.

The two-bearing construction guarantees an optimal sealing. To this day no existing tracking roller can compare to the Tru-Trac tracking roller. Your belts are sure to run in a straight line.



| Model | Beltwidth | A | B | C Min - Max | D (Key) | E | Gewicht (kg) |
|---------|-----------|------|------|----------------|------------|------|-----------------|
| TTFR45 | 450 | 686 | 490 | 85 - 200 | 14 x 70 | 850 | 33 |
| TTFR50 | 500 | 736 | 540 | 85 - 200 | 14 x 70 | 900 | 35 |
| TTFR60 | 600 | 838 | 640 | 85 - 200 | 14 x 70 | 1000 | 37 |
| TTFR65 | 650 | 890 | 690 | 85 - 200 | 14 x 70 | 1050 | 39 |
| TTFR75 | 750 | 990 | 790 | 85 - 200 | 14 x 70 | 1150 | 42 |
| TTFR80 | 800 | 1040 | 840 | 85 - 200 | 14 x 70 | 1200 | 45 |
| TTFR90 | 900 | 1140 | 940 | 85 - 200 | 14 x 70 | 1300 | 49 |
| TTFR100 | 1000 | 1240 | 1040 | 85 - 200 | 14 x 70 | 1400 | 52 |
| TTFR105 | 1050 | 1296 | 1090 | 85 - 200 | 14 x 70 | 1450 | 53 |
| TTFR120 | 1200 | 1448 | 1240 | 85 - 200 | 14 x 70 | 1600 | 59 |
| TTFR135 | 1350 | 1600 | 1390 | 85 - 200 | 14 x 70 | 1780 | 71 |
| TTFR140 | 1400 | 1700 | 1440 | 85 - 200 | 14 x 70 | 1830 | 74 |
| TTFR150 | 1500 | 1752 | 1540 | 85 - 200 | 14 x 70 | 1930 | 78 |

*Other types on demand